



KR33 Series

(50–200kVA)

- Computer room
- Data center
- Precision instrument
- Commercial facility
- Intelligent equipment

Advanced Technology:

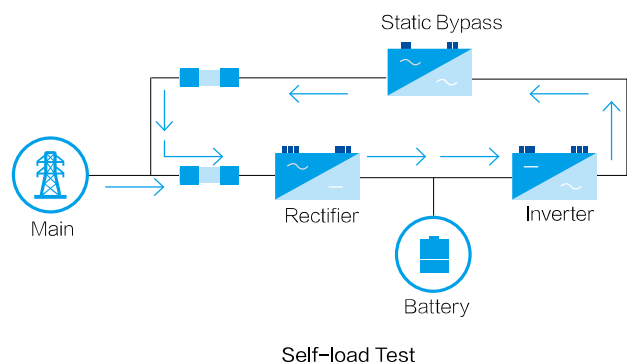
- Three level inverter technology
- Fully digital interconnection technology
- High power density

Green Power:

- High AC/AC efficiency up to 96%
- High power factor up to 1
- Low THDi $\leq 3\%$

Flexible Design:

- Common battery bank sharing in parallel system
- Flexible battery configuration improves service ability
- High power density design with compact size, 120kW only cover 0.3825m²
- Frequency converter function (60Hz to 50Hz or 50Hz to 60Hz)
- Self-load test function without load enables onsite commission
- Easy onsite parallel modification
- Built-in battery quantity: 32–72 pcs configurable



Specification:

MODEL	KR3350	KR3380	KR33100	KR33120	KR33160	KR33200
INPUT						
Voltage (Vac)	380/400/415 (138~485 L-L)					
Frequency (Hz)	40~70					
Bypass Voltage (Vac)	380/400/415: -20%~+15%					
Power Factor	≥0.99					
Phase	3φ4W+PE					
OUTPUT						
Capacity (kVA)	50	80	100	120	160	200
Power Factor	1					
Voltage (Vac)	L-N: 220/230/240±1% L-L: 380/400/415±1%					
Frequency (Hz)	50/60±0.1 (battery mode)					
Phase	3φ4W+PE					
Unbalance 3-phase voltage stabilization with full load	≤2%					
Waveform	Pure sine wave, THD<1% at linear					
Transfer Time (ms)	0					
Efficiency	up to 96%					
Overload	105%~110% load for 60mins; 111%~130% load for 10mins; 131%~150% load for 1min; >150% load for 200ms					
BATTERY						
Battery Voltage (Vdc)	±192 (±180/±204/±216/±228/±240 settable for long backup type)					
BATT Type	External					
Charging Current (A)	10	20	20	30	30	40
OTHER						
Communication Interface	RS485, MODBUS, dry contacts (RS232, SNMP, expand dry contact card are optional in slot)					
Display	Touch screen+LED					
Alarm	AC input abnormal, low battery, overload, failure					
Protection	Output short-circuit, overload, over temperature, battery low voltage, output over/low voltage					
Noise (dB)	<65					
Working Temperature (°C)	-5~40					
Relative Humidity	0~95%, no condensation					
Dimension (W×D×H)(mm)	450×840×967	450×840×1400			600×900×1600	
Weight (kg)	120	210	210	242	270	300

◆ Specification is subject to change without prior notice.